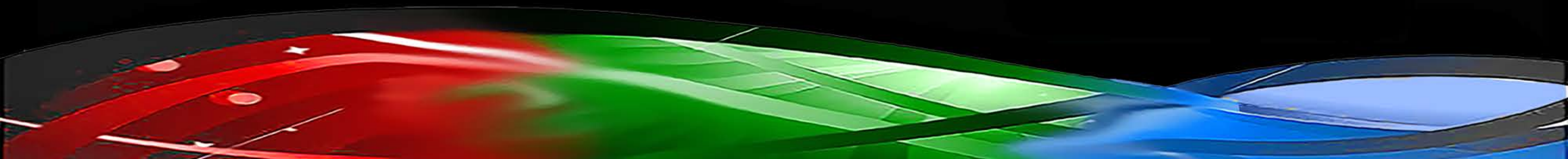




LL09 Series LED Battens

LED replacement for fluorescent fittings.
A popular commercial & industrial lighting
solution with easy installation.
Available in single or twin fitting.

RoHS **CE** **IP20**

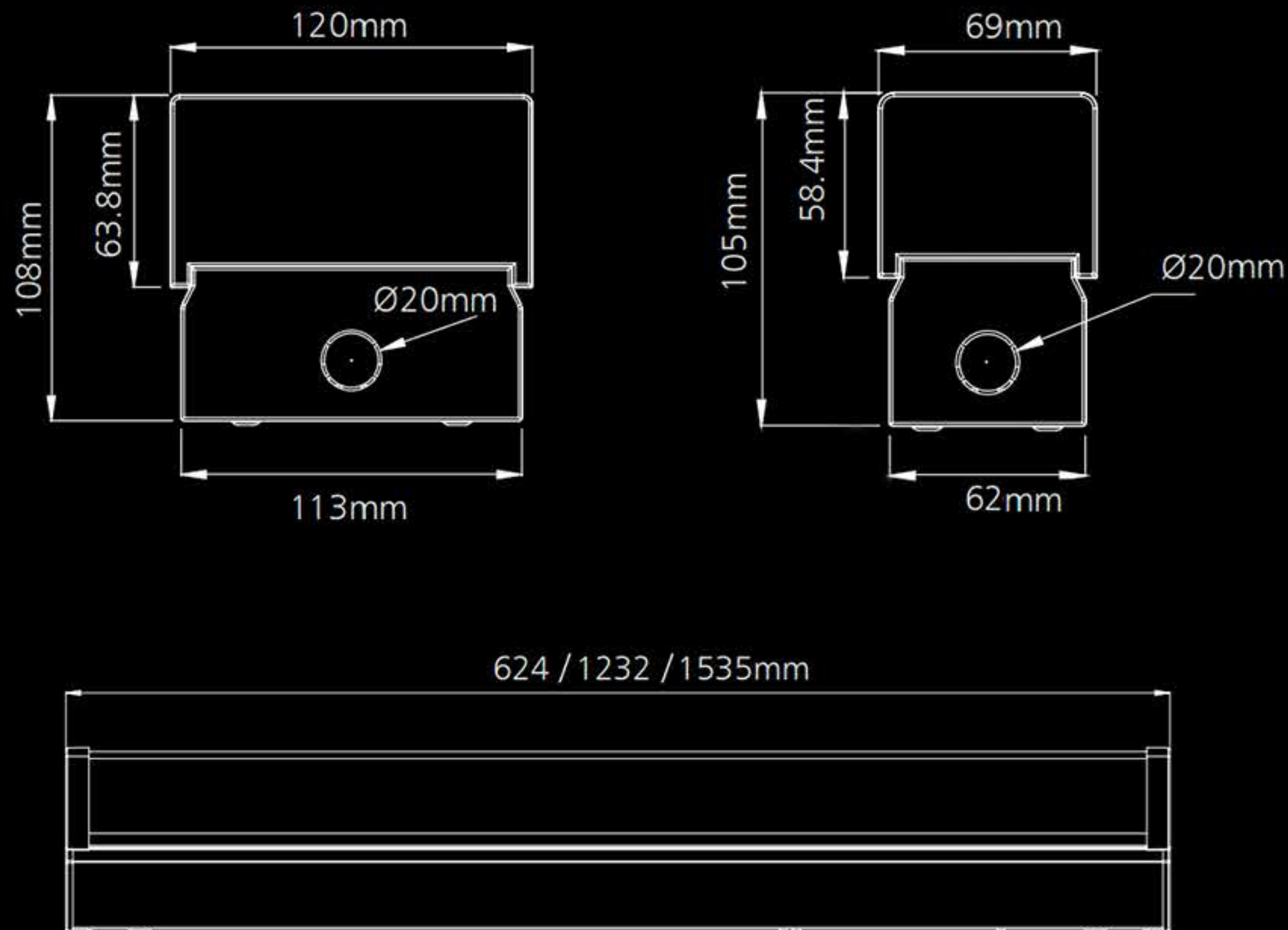


Specifications



Size	Power Consumption	Input Voltage	IP Rating	LED Source	CRI	Colour Temp	Lumens	Beam Angle	Dimmable
600mm Single	9W	AC100-240V 50/60Hz	IP20	2835 SMD	≥80Ra	3000K 4000K 5000K	750lm 770lm 800lm	120°	No
1200mm Single	18W	AC100-240V 50/60Hz	IP20	2835 SMD	≥80Ra	3000K 4000K 5000K	1550lm 1600lm 1630lm	120°	No
1500mm Single	25W	AC100-240V 50/60Hz	IP20	2835 SMD	≥80Ra	3000K 4000K 5000K	2050lm 2100lm 2120lm	120°	No
600mm Twin	18W	AC100-240V 50/60Hz	IP20	2835 SMD	≥80Ra	3000K 4000K 5000K	1530lm 1570lm 1630lm	120°	No
1200mm Twin	36W	AC100-240V 50/60Hz	IP20	2835 SMD	≥80Ra	3000K 4000K 5000K	3060lm 3170lm 3250lm	120°	No
1500mm Twin	50W	AC100-240V 50/60Hz	IP20	2835 SMD	≥80Ra	3000K 4000K 5000K	4150lm 4250lm 4300lm	120°	No

Design



- 1 Driver**
Integral Driver. No UV, no IR, flicker-free.
TUV, CE & RoHS certification.
Power Factor >0.9, MTBF >40,000hrs.
- 2 LED Source**
SMD LED2835 Chips equally arrayed to
ensure uniform light distribution and higher
brightness. Lifespan >40,000hrs to L70.
- 3 Diffuser**
AA12 prismatic diffuser for visual comfort.
Snap-on end caps make the diffuser easy
to install.
- 4 General Design Features**
2ft, 4ft & 5ft lengths available in single or twin
fittings.





Lumilow
Lighting

w. www.lumilow.com

e. sales@lumilow.com

t. +44 (0) 1422 343566

f. +44 (0) 1422 347870

a. Stoney Royd, Swan Bank Lane, Halifax, West Yorkshire, HX3 9HT